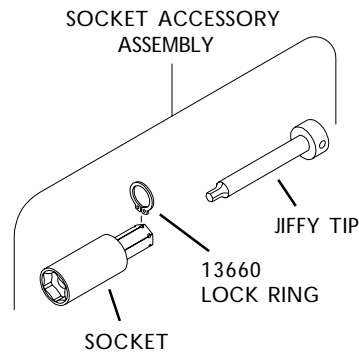
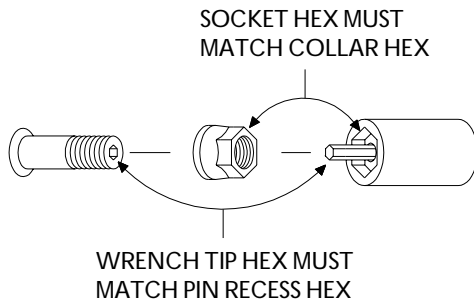


FOR SERIES 3 ATTACHMENTS
TORQUE CONTROL INSTALLATION
1/8 WRENCH TIP



FOR 12 POINT CONFIGURATION ADD X AFTER SOCKET OR SOCKET ACCESSORY ASSEMBLY NUMBER.

LENGTH OF SOCKET

WRENCH TIP HEX	SOCKET HEX	DESCRIPTION	1/4	1/2	1	1 1/2	2	2 1/2	3
1/8	3/8	SOCKET ACCESSORY ASSEMBLY	13123	13124	13125	13126	13127	13128	13129
		SOCKET	13033	13034	13035	13036	13037	13038	13039
		JIFFY TIP 1/8 TORQUE	13137	13138	13139	13140	13141	13142	13143
	7/16	SOCKET ACCESSORY ASSEMBLY	13130	13131	13132	13133	13134	13135	13136
		SOCKET	13040	13041	13042	13043	13044	13045	13046
		JIFFY TIP 1/8 TORQUE	13137	13138	13139	13140	13141	13142	13143
	1/2	SOCKET ACCESSORY ASSEMBLY	13717	13718	13719	13720	13721	13722	13723
		SOCKET	13682	13683	13684	13685	13686	13687	13688
		JIFFY TIP 1/8 TORQUE	13137	13138	13139	13140	13141	13142	13143
	9/16	SOCKET ACCESSORY ASSEMBLY	15619	15620	15621	15622	15623	15624	15625
		SOCKET	15612	15613	15614	15615	15616	15617	15618
		JIFFY TIP 1/8 TORQUE	13137	13138	13139	13140	13141	13142	13143