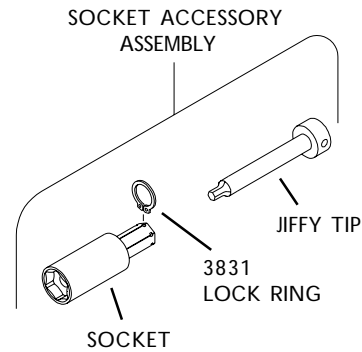
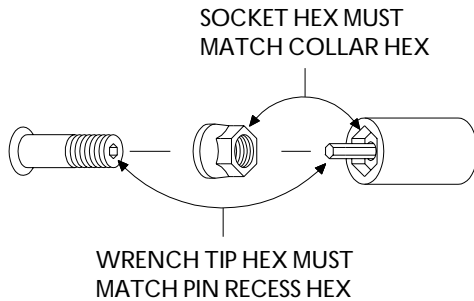


FOR SERIES 2 ATTACHMENTS

TORQUE CONTROL INSTALLATION 1/16 WRENCH TIP



FOR 12 POINT CONFIGURATION ADD X AFTER SOCKET OR SOCKET ACCESSORY ASSEMBLY NUMBER.

LENGTH OF SOCKET

WRENCH TIP HEX	SOCKET HEX	DESCRIPTION	1/4	1/2	1	1 1/2	2	2 1/2	3
1/16	7/32	SOCKET ACCESSORY ASSEMBLY	12830	12831	12832	12833	12834	12835	12836
		SOCKET	12679	12680	12681	12682	12683	12684	12685
		JIFFY TIP 1/16 TORQUE	12865	12866	12867	12868	12869	12870	12871
	1/4	SOCKET ACCESSORY ASSEMBLY	12837	12838	12839	12840	12841	12842	12843
		SOCKET	12686	12687	14446	12688	12689	12690	12691
		JIFFY TIP 1/16 TORQUE	12865	12866	12867	12868	12869	12870	12871
	9/32	SOCKET ACCESSORY ASSEMBLY	12844	12845	12846	12847	12848	12849	12850
		SOCKET	12692	12693	12694	12695	12696	12697	12698
		JIFFY TIP 1/16 TORQUE	12865	12866	12867	12868	12869	12870	12871
	5/16	SOCKET ACCESSORY ASSEMBLY	12851	12852	12853	12854	12855	12856	12857
		SOCKET	12699	12700	14445	12701	12702	12703	12704
		JIFFY TIP 1/16 TORQUE	12865	12866	12867	12868	12869	12870	12871
	11/32	SOCKET ACCESSORY ASSEMBLY	12858	12859	12860	12861	12862	12863	12864
		SOCKET	12705	12706	12707	12708	12709	12710	12711
		JIFFY TIP 1/16 TORQUE	12865	12866	12867	12868	12869	12870	12871