

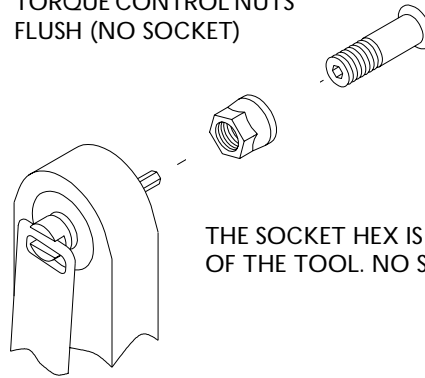
FOR HD & HW ATTACHMENTS

FITS ALL HD & HW TOOLS WITH FLUSH STYLE GEARS
EXCLUDING SERIES 1



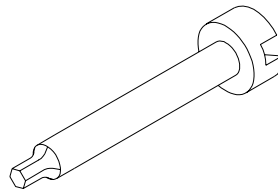
TORQUE CONTROL FLUSH TYPE INSTALLATION

WRENCH TIP HEX CHART FOR
TORQUE CONTROL NUTS
FLUSH (NO SOCKET)



THE SOCKET HEX IS BUILT INTO THE GEAR
OF THE TOOL. NO SOCKET IS USED

JIFFY TIP



SOLID ONE PIECE

SERIES 2 HD & HW TORQUE TYPE FLUSH				
PIN HEX	5/64	3/32	1/8	5/32
JIFFY TIP TORQUE	15875	15876	15877	15878