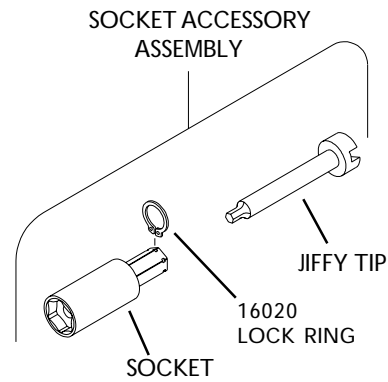
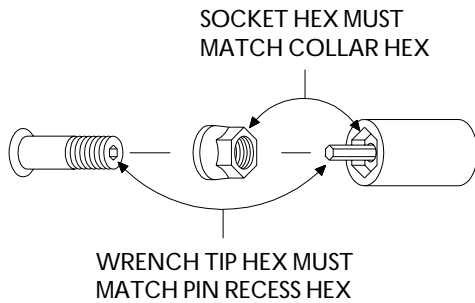


# FOR HD & HW ATTACHMENTS

FITS ALL HD & HW TOOLS WITH 5/16 DRIVER GEAR  
EXCLUDING SERIES 1



## TORQUE CONTROL INSTALLATION 3/32 WRENCH TIP



### LENGTH OF SOCKET

WRENCH TIP HEX	SOCKET HEX	DESCRIPTION	1/4	1/2	1	1 1/2	2	2 1/2	3
3/32	5/16	SOCKET ACCESSORY ASSEMBLY	15677	15678	15679	15680	15681	15682	15683
		SOCKET	15966	15967	15968	15969	15970	15971	15972
		JIFFY TIP 3/32 TORQUE	15705	15706	15707	15708	15709	15710	15711
	11/32	SOCKET ACCESSORY ASSEMBLY	15684	15685	15686	15687	15688	15689	15690
		SOCKET	15973	15974	15975	15976	15977	15978	15979
		JIFFY TIP 3/32 TORQUE	15705	15706	15707	15708	15709	15710	15711
	3/8	SOCKET ACCESSORY ASSEMBLY	15691	15692	15693	15694	15695	15696	15697
		SOCKET	15558	15559	15560	15561	15562	15563	15564
		JIFFY TIP 3/32 TORQUE	15705	15706	15707	15708	15709	15710	15711
	7/16	SOCKET ACCESSORY ASSEMBLY	15698	15699	15700	15701	15702	15703	15704
		SOCKET	15565	15566	15567	15568	15569	15570	15571
		JIFFY TIP 3/32 TORQUE	15705	15706	15707	15708	15709	15710	15711

FOR 12 POINT CONFIGURATION ADD X AFTER SOCKET OR SOCKET ACCESSORY ASSEMBLY NUMBER.