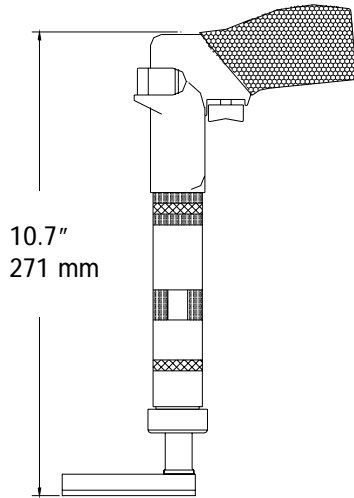


SERIES 2 SHORT ATTACHMENTS WITH TORQUE CONTROL MOTORS



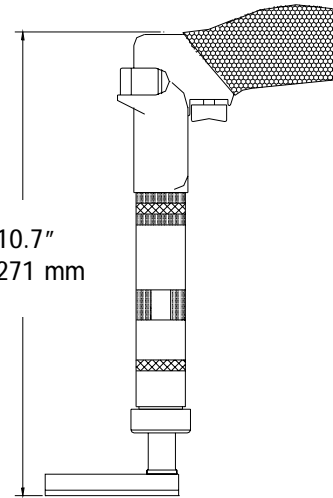
5



10.7"
271 mm

CLECO 5 .33 HP MOTOR
175 R.P.M. REVERSIBLE
WEIGHT: 2.5 LBS.
1.13 Kg.

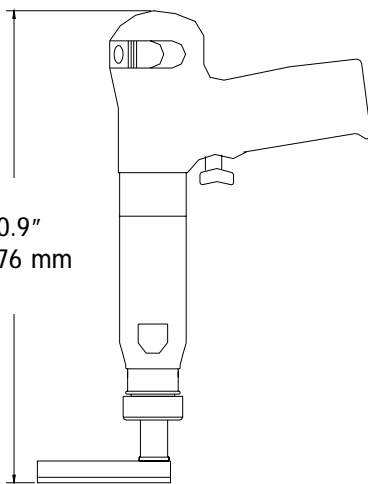
5



10.7"
271 mm

CLECO 5 .33 HP MOTOR
420 R.P.M. REVERSIBLE
WEIGHT: 2.5 LBS.
1.13 Kg.

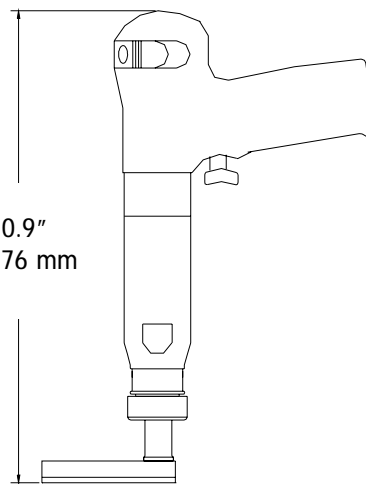
8



10.9"
276 mm

CLECO 8 .45 HP MOTOR
200 R.P.M. REVERSIBLE
WEIGHT: 4.1 LBS.
1.86 Kg.

8



10.9"
276 mm

CLECO 8 .45 HP MOTOR
400 R.P.M. REVERSIBLE
WEIGHT: 4.1 LBS.
1.86 KG.