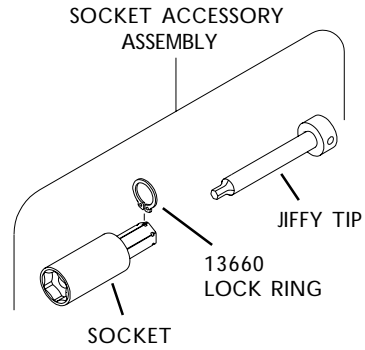
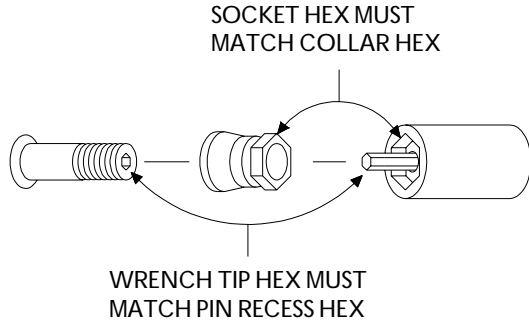


FOR SERIES 3 ATTACHMENTS

STALL TYPE INSTALLATION 5/32 WRENCH TIP



FOR 12 POINT CONFIGURATION ADD X AFTER SOCKET OR SOCKET ACCESSORY ASSEMBLY NUMBER.

LENGTH OF SOCKET

WRENCH TIP HEX	SOCKET HEX	DESCRIPTION	1/4	1/2	1	1 1/2	2	2 1/2	3
5/32	3/8	SOCKET ACCESSORY ASSEMBLY	13144	13145	13146	13147	13148	13149	13150
		SOCKET	13033	13034	13035	13036	13037	13038	13039
		JIFFY TIP 5/32 STALL	13158	13159	13160	13161	13162	13163	13164
	7/16	SOCKET ACCESSORY ASSEMBLY	13151	13152	13153	13154	13155	13156	13157
		SOCKET	13040	13041	13042	13043	13044	13045	13046
		JIFFY TIP 5/32 STALL	13158	13159	13160	13161	13162	13163	13164
	1/2	SOCKET ACCESSORY ASSEMBLY	13703	13704	13705	13706	13707	13708	13709
		SOCKET	13682	13683	13684	13685	13686	13687	13688
		JIFFY TIP 5/32 STALL	13158	13159	13160	13161	13162	13163	13164
	9/16	SOCKET ACCESSORY ASSEMBLY	15640	15641	15642	15643	15644	15645	15646
		SOCKET	15612	15613	15614	15615	15616	15617	15618
		JIFFY TIP 5/32 STALL	13158	13159	13160	13161	13162	13163	13164