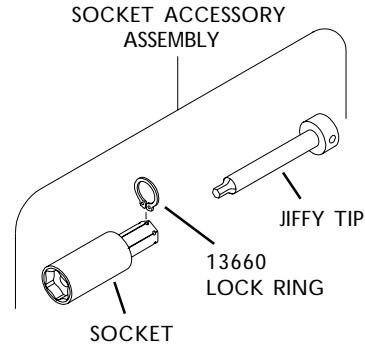
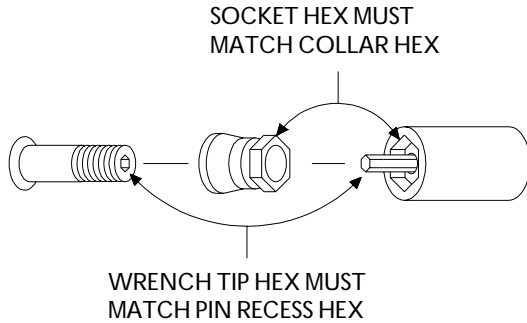


# FOR SERIES 3 ATTACHMENTS

## STALL TYPE INSTALLATION 3/32 WRENCH TIP



FOR 12 POINT CONFIGURATION ADD X AFTER SOCKET OR SOCKET ACCESSORY ASSEMBLY NUMBER.

WRENCH TIP HEX	SOCKET HEX	DESCRIPTION	LENGTH OF SOCKET						
			1/4	1/2	1	1 1/2	2	2 1/2	3
3/32	5/16	SOCKET ACCESSORY ASSEMBLY	12991	12992	12993	12994	12995	12996	12997
		SOCKET	13019	13020	13021	13022	13023	13024	13025
		JIFFY TIP 3/32 STALL	13047	13048	13049	13050	13051	13052	13053
	11/32	SOCKET ACCESSORY ASSEMBLY	12998	12999	13000	13001	13002	13003	13004
		SOCKET	13026	13027	13028	13029	13030	13031	13032
		JIFFY TIP 3/32 STALL	13047	13048	13049	13050	13051	13052	13053
	3/8	SOCKET ACCESSORY ASSEMBLY	13005	13006	13007	13008	13009	13010	13011
		SOCKET	13033	13034	13035	13036	13037	13038	13039
		JIFFY TIP 3/32 STALL	13047	13048	13049	13050	13051	13052	13053
	7/16	SOCKET ACCESSORY ASSEMBLY	13012	13013	13014	13015	13016	13017	13018
		SOCKET	13040	13041	13042	13043	13044	13045	13046
		JIFFY TIP 3/32 STALL	13047	13048	13049	13050	13051	13052	13053