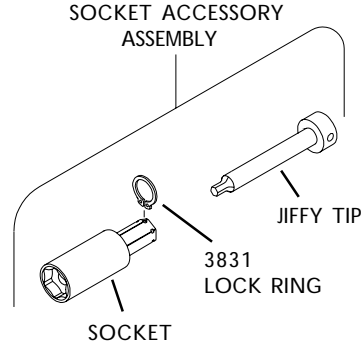
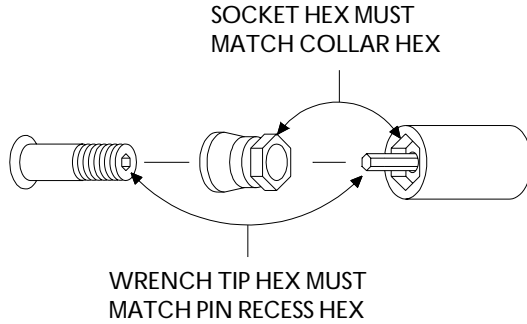


# FOR SERIES 2 ATTACHMENTS

## STALL TYPE INSTALLATION 3/32 WRENCH TIP



FOR 12 POINT CONFIGURATION ADD X AFTER SOCKET OR SOCKET ACCESSORY ASSEMBLY NUMBER.

### LENGTH OF SOCKET

WRENCH TIP HEX	SOCKET HEX	DESCRIPTION	1/4	1/2	1	1 1/2	2	2 1/2	3
3/32	5/16	SOCKET ACCESSORY ASSEMBLY	12879	12880	12916	12882	12883	12884	12885
		SOCKET	12699	12700	14445	12701	12702	12703	12704
		JIFFY TIP 3/32 STALL	12907	12908	12909	12910	12911	12912	12913
	11/32	SOCKET ACCESSORY ASSEMBLY	12886	12887	12888	12889	12890	12891	12892
		SOCKET	12705	12706	12707	12708	12709	12710	12711
		JIFFY TIP 3/32 STALL	12907	12908	12909	12910	12911	12912	12913
	3/8	SOCKET ACCESSORY ASSEMBLY	12893	12894	12895	12896	12897	12898	12899
		SOCKET	12767	12768	12769	12770	12771	12772	12773
		JIFFY TIP 3/32 STALL	12907	12908	12909	12910	12911	12912	12913
	7/16	SOCKET ACCESSORY ASSEMBLY	12900	12901	12902	12903	12904	12905	12906
		SOCKET	12872	12873	12874	12875	12876	12877	12878
		JIFFY TIP 3/32 STALL	12907	12908	12909	12910	12911	12912	12913