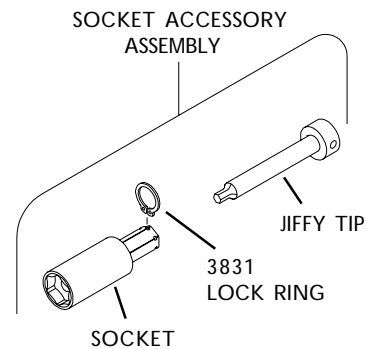
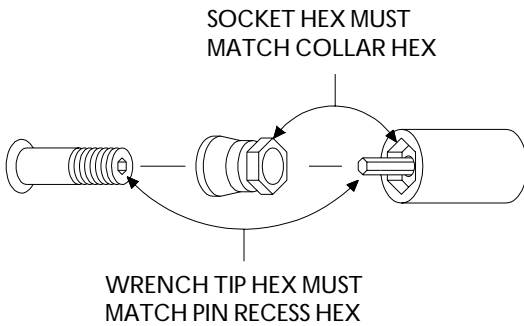


FOR SERIES 2 ATTACHMENTS

STALL TYPE INSTALLATION 1/16 WRENCH TIP



FOR 12 POINT CONFIGURATION ADD X AFTER SOCKET OR SOCKET ACCESSORY ASSEMBLY NUMBER.

LENGTH OF SOCKET

WRENCH TIP HEX	SOCKET HEX	DESCRIPTION	1/4	1/2	1	1 1/2	2	2 1/2	3
1/16	7/32	SOCKET ACCESSORY ASSEMBLY	12643	12644	12645	12646	12647	12648	12649
		SOCKET	12679	12680	12681	12682	12683	12684	12685
		JIFFY TIP 1/16 STALL	12712	12713	12714	12715	12716	12717	12718
	1/4	SOCKET ACCESSORY ASSEMBLY	12650	12651	12652	12653	12654	12655	12656
		SOCKET	12686	12687	14446	12688	12689	12690	12691
		JIFFY TIP 1/16 STALL	12712	12713	12714	12715	12716	12717	12718
	9/32	SOCKET ACCESSORY ASSEMBLY	12658	12659	12660	12661	12662	12663	12664
		SOCKET	12692	12693	12694	12695	12696	12697	12698
		JIFFY TIP 1/16 STALL	12712	12713	12714	12715	12716	12717	12718
	5/16	SOCKET ACCESSORY ASSEMBLY	12665	12666	12667	12668	12669	12670	12671
		SOCKET	12699	12700	14445	12701	12702	12703	12704
		JIFFY TIP 1/16 STALL	12712	12713	12714	12715	12716	12717	12718
	11/32	SOCKET ACCESSORY ASSEMBLY	12672	12673	12674	12675	12676	12677	12678
		SOCKET	12705	12706	12707	12708	12709	12710	12711
		JIFFY TIP 1/16 STALL	12712	12713	12714	12715	12716	12717	12718