

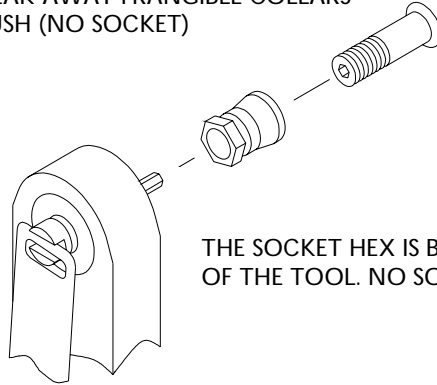
## FOR HD & HW ATTACHMENTS

FITS ALL HD & HW TOOLS WITH FLUSH STYLE GEARS  
EXCLUDING SERIES 1



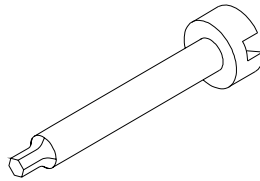
### STALL FLUSH TYPE INSTALLATION

WRENCH TIP HEX CHART FOR  
BREAK-AWAY FRANGIBLE COLLARS  
FLUSH (NO SOCKET)



THE SOCKET HEX IS BUILT INTO THE GEAR  
OF THE TOOL. NO SOCKET IS USED

### JIFFY TIP



### SOLID ONE PIECE

| SERIES 2 HD & HW STALL TYPE FLUSH |       |       |       |       |
|-----------------------------------|-------|-------|-------|-------|
| PIN HEX                           | 5/64  | 3/32  | 1/8   | 5/32  |
| JIFFY TIP STALL                   | 15871 | 15872 | 15873 | 15874 |