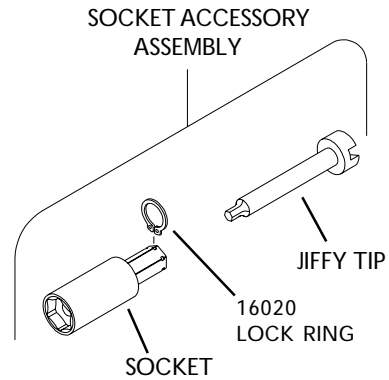
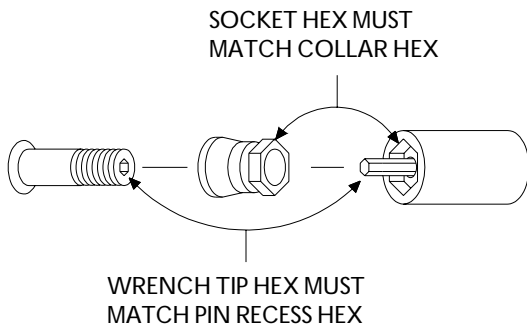


# FOR HD & HW ATTACHMENTS

FITS ALL HD & HW TOOLS WITH 5/16 DRIVER GEAR  
EXCLUDING SERIES 1



## STALL TYPE INSTALLATION 3/32 WRENCH TIP



### LENGTH OF SOCKET

WRENCH TIP HEX	SOCKET HEX	DESCRIPTION	1/4	1/2	1	1 1/2	2	2 1/2	3
3/32	5/16	SOCKET ACCESSORY ASSEMBLY	15712	15713	15714	15715	15716	15717	15718
		SOCKET	15966	15967	15968	15969	15970	15971	15972
		JIFFY TIP 3/32 STALL	15740	15308	15741	15742	15743	15744	15745
	11/32	SOCKET ACCESSORY ASSEMBLY	15719	15720	15721	15722	15723	15724	15725
		SOCKET	15973	15974	15975	15976	15977	15978	15979
		JIFFY TIP 3/32 STALL	15740	15308	15741	15742	15743	15744	15745
	3/8	SOCKET ACCESSORY ASSEMBLY	15726	15727	15728	15729	15730	15731	15732
		SOCKET	15558	15559	15560	15561	15562	15563	15564
		JIFFY TIP 3/32 STALL	15740	15308	15741	15742	15743	15744	15745
	7/16	SOCKET ACCESSORY ASSEMBLY	15733	15734	15735	15736	15737	15738	15739
		SOCKET	15565	15566	15567	15568	15569	15570	15571
		JIFFY TIP 3/32 STALL	15740	15308	15741	15742	15743	15744	15745

FOR 12 POINT CONFIGURATION ADD X AFTER SOCKET OR  
SOCKET ACCESSORY ASSEMBLY NUMBER.