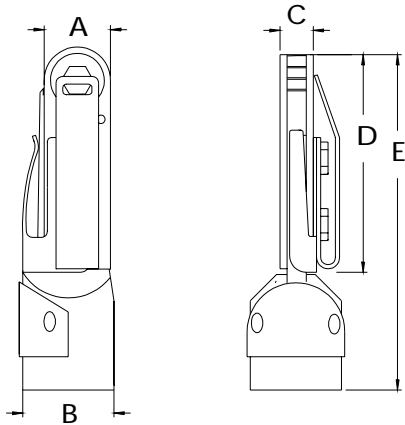
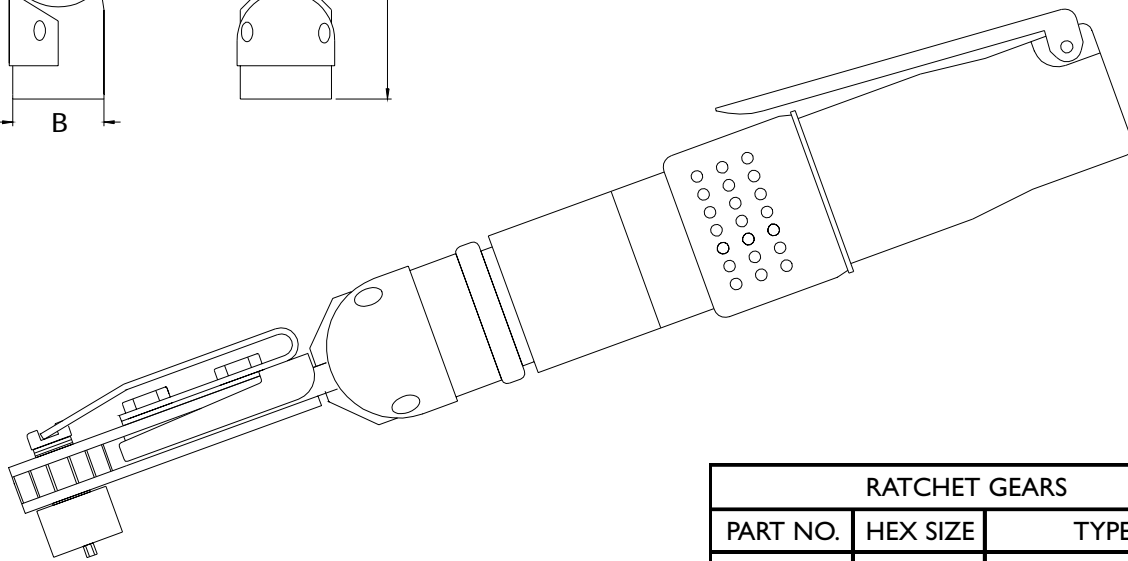




6600HD SERIES STRAIGHT RATCHET WRENCHES



	A	B	C	D	E
INCH	1	1 3/8	1/2	3 5/16	5 5/32
MM	25.4	34.92	12.7	84.13	130.96



FOR SOCKET USE ORDER WITH 5/16 HEX DRIVER.
THIS RATCHET REQUIRES HD SOCKETS

FOR TWELVE POINT CONFIGURATION
ADD X TO RATCHET GEAR PART No.

RATCHET GEARS		
PART NO.	HEX SIZE	TYPE
15523	5/16	5/16 HEX DRIVER
15524	9/16	FLUSH
15525	1/2	FLUSH
15526	7/16	FLUSH
15527	3/8	FLUSH
15528	11/32	FLUSH
15529	5/16	FLUSH

TOOL ORDER NUMBER	R.P.M.	R.P.M. ATTACHMENT	TORQUE		WEIGHT		LENGTH	
			IN LBS	Nm	LBS.	Kg.	INCH	MM
15513	250	28	225	23.72	3.31	1.50	13 1/2	336.5
15514	450	50	205	21.46	3.06	1.38	12 3/4	317.5
15515	1000	111	170	17.51	3.06	1.38	12 3/4	317.5
15516	2000	222	125	12.42	2.83	1.28	11 1/4	279.4
15517	2700	300	110	10.16	2.83	1.28	11 1/4	279.4