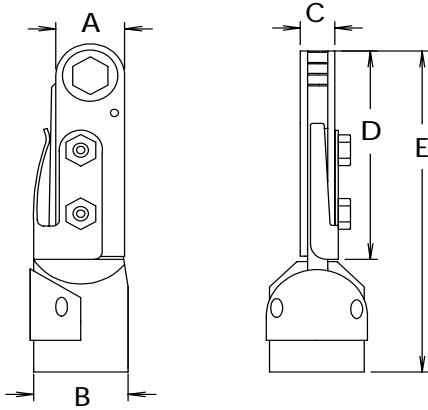
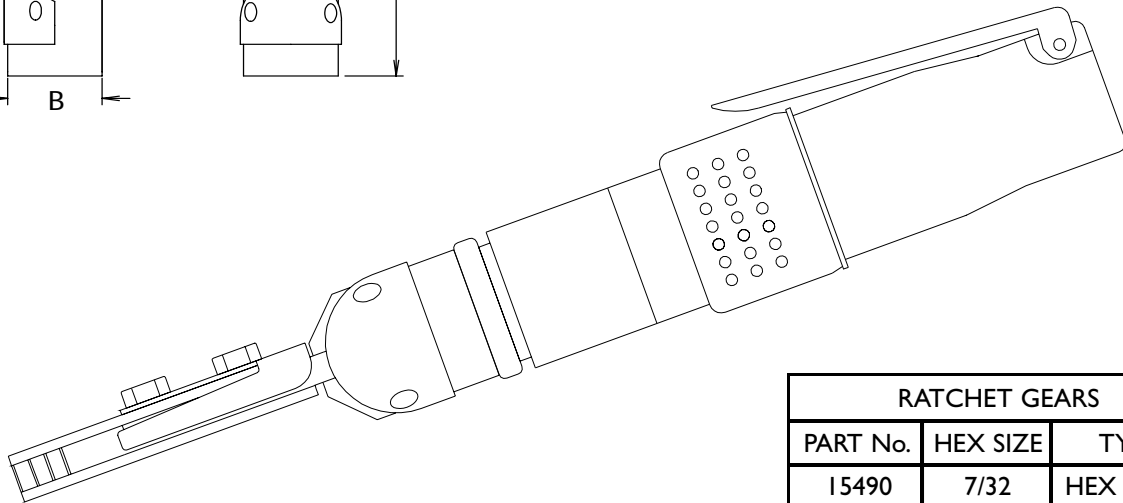




# 6600 SERIES STRAIGHT RATCHET WRENCHES



|      | A    | B     | C    | D      | E      |
|------|------|-------|------|--------|--------|
| INCH | 1    | 1 3/8 | 1/2  | 3 5/16 | 5 5/32 |
| MM   | 25.4 | 34.92 | 12.7 | 84.13  | 130.96 |



| RATCHET GEARS |          |             |
|---------------|----------|-------------|
| PART No.      | HEX SIZE | TYPE        |
| 15490         | 7/32     | HEX THRU    |
| 15489         | 1/4      | HEX THRU    |
| 10875         | 9/32     | HEX THRU    |
| 1495          | 5/16     | HEX THRU    |
| 1493          | 7/16     | HEX THRU    |
| 1491          | 11/32    | HEX THRU    |
| 1487          | 1/2      | HEX THRU    |
| 1501          | 9/16     | HEX THRU    |
| 1636          | 3/8      | 12 PT. THRU |

FOR TWELVE POINT CONFIGURATION  
ADD X TO RATCHET GEAR PART No.

| TOOL<br>ORDER NUMBER | R.P.M. | R.P.M.<br>ATTACHMENT | TORQUE |       | WEIGHT |      | LENGTH |       |
|----------------------|--------|----------------------|--------|-------|--------|------|--------|-------|
|                      |        |                      | IN LBS | Nm    | LBS.   | Kg.  | INCH   | MM    |
| 15297                | 250    | 28                   | 225    | 23.72 | 3.31   | 1.50 | 13 1/2 | 336.5 |
| 15298                | 450    | 50                   | 205    | 21.46 | 3.06   | 1.38 | 12 3/4 | 317.5 |
| 15299                | 1000   | 111                  | 170    | 17.51 | 3.06   | 1.38 | 12 3/4 | 317.5 |
| 15300                | 2000   | 222                  | 125    | 12.42 | 2.83   | 1.28 | 11 1/4 | 279.4 |
| 15301                | 2700   | 300                  | 110    | 10.16 | 2.83   | 1.28 | 11 1/4 | 279.4 |