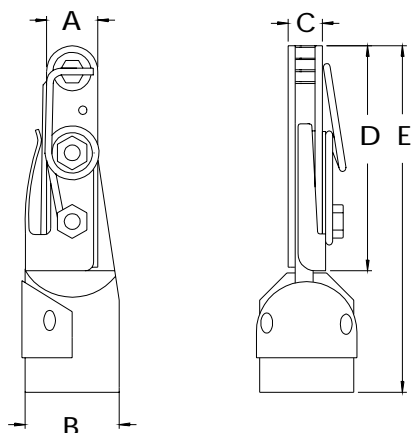
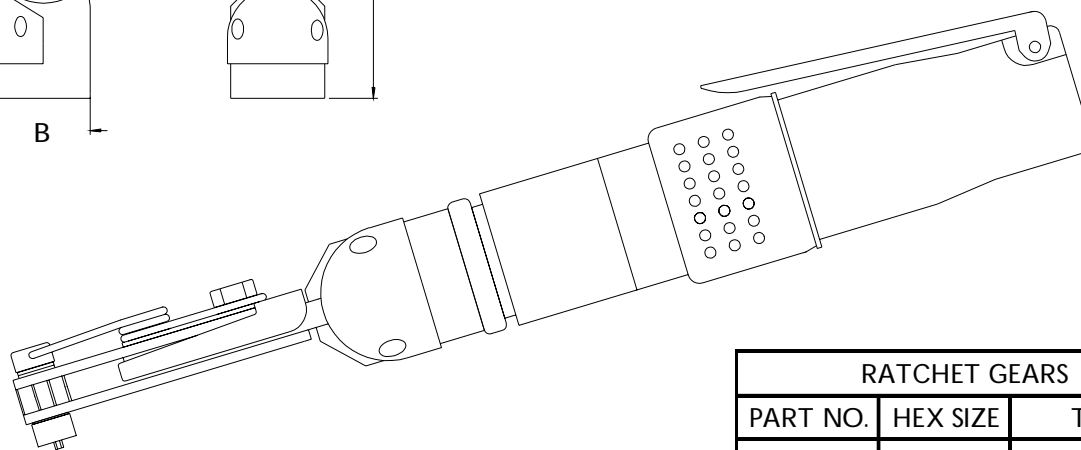




6599HO SERIES STRAIGHT RATCHET WRENCHES



	A	B	C	D	E
INCH	3/4	1 3/8	1/2	3 1/4	5 1/16
MM	19.05	34.92	12.7	82.55	128.57



RATCHET GEARS		
PART NO.	HEX SIZE	TYPE
15487	3/16	FLUSH
16104	1/4	FLUSH
16105	7/32	FLUSH
16106	9/32	FLUSH
15424	9/32	HEX DRIVER
16107	5/16	FLUSH
16108	11/32	FLUSH
16109	7/16	FLUSH
16110	3/8	FLUSH

REFER TO HO SERIES 2 SOCKET SECTION

FOR TWELVE POINT CONFIGURATION
ADD X TO RATCHET GEAR PART No.

TOOL ORDER NUMBER	R.P.M.	R.P.M. ATTACHMENT	TORQUE		WEIGHT		LENGTH	
			IN LBS	Nm	LBS.	Kg.	INCH	MM
15287HO	250	35	210	23.72	3.31	1.50	13 1/2	342.9
15288HO	450	64	190	21.46	3.06	1.38	12 3/4	323.8
15289HO	1000	142	155	17.51	3.06	1.38	12 3/4	323.8
15290HO	2000	285	110	12.42	2.83	1.28	11 1/4	285.7
15291HO	2700	385	90	10.16	2.83	1.28	11 1/4	285.7