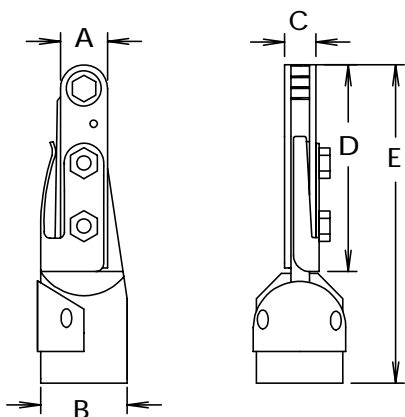
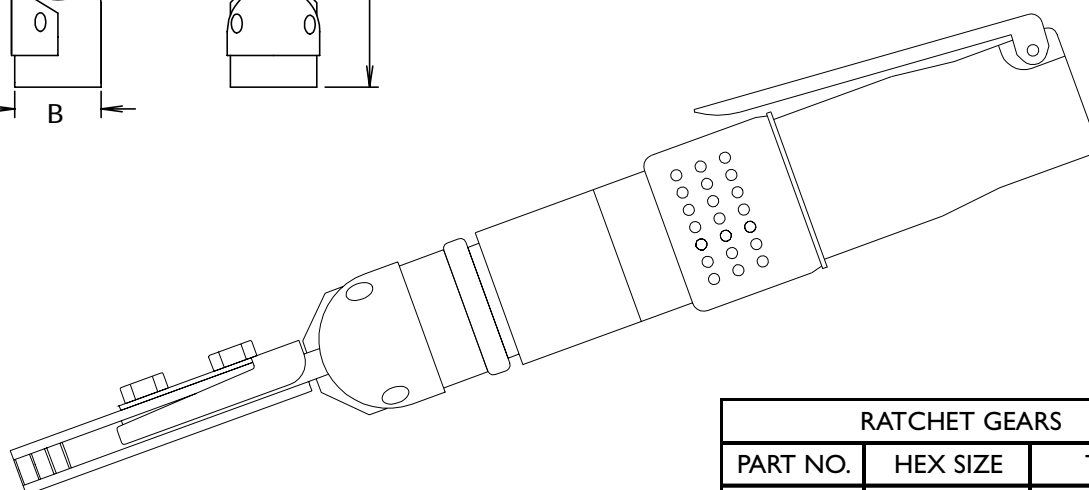




6599 SERIES STRAIGHT RATCHET WRENCHES



	A	B	C	D	E
INCH	3/4	1 3/8	1/2	3 1/4	5 1/16
MM	19.05	34.92	12.7	82.55	128.57



RATCHET GEARS		
PART NO.	HEX SIZE	TYPE
15488	7/32	HEX THRU
9947	1/4	HEX THRU
10781	9/32	HEX THRU
1429	5/16	HEX THRU
1447	7/16	HEX THRU
1445	11/32	HEX THRU
1430	3/8	HEX THRU
1412	3/8-1/2 EXT	HEX THRU

FOR TWELVE POINT CONFIGURATION
ADD X TO RATCHET GEAR PART No.

TOOL ORDER NUMBER	R.P.M.	R.P.M. ATTACHMENT	TORQUE		WEIGHT		LENGTH	
			IN LBS	Nm	LBS.	Kg.	INCH	MM
15287	250	35	210	23.72	3.31	1.50	13 1/2	342.9
15288	450	64	190	21.46	3.06	1.38	12 3/4	323.8
15289	1000	142	155	17.51	3.06	1.38	12 3/4	323.8
15290	2000	285	110	12.42	2.83	1.28	11 1/4	285.7
15291	2700	385	90	10.16	2.83	1.28	11 1/4	285.7