

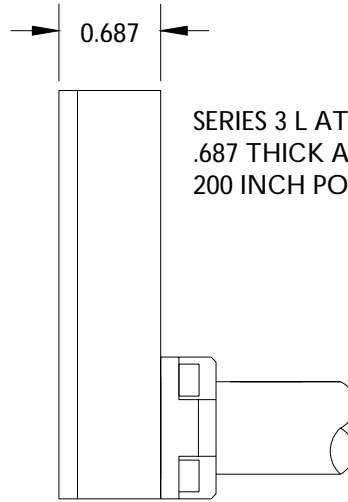


# SERIES 3 ATTACHMENTS

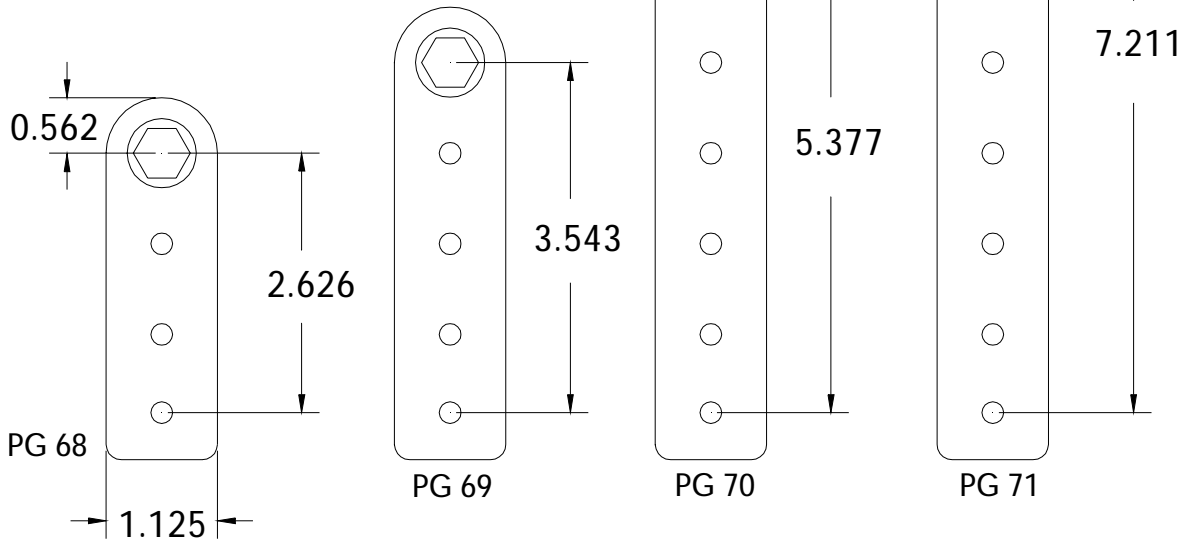
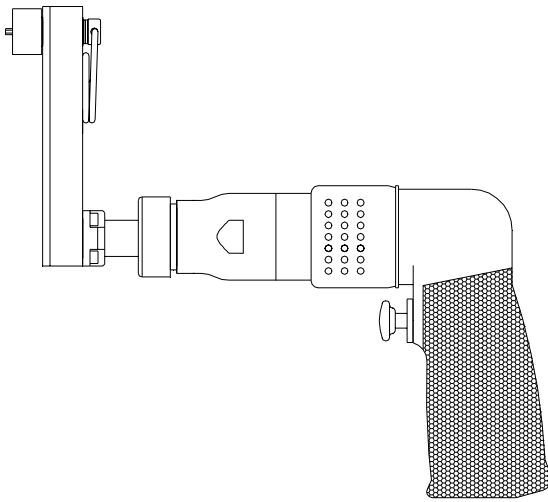
200 INCH POUNDS  
#12 PIN MAX WITH ALUMINUM COLLARS

THE NEW STYLE SERIES 3 L ATTACHMENTS ARE MADE FROM THE LONGEST WEARING, STRONGEST MATERIALS AVAILABLE.

THE NEW NEEDLE BEARING GEAR DESIGN HAS A VERY LOW AMOUNT OF FRICTION FOR ACCURATE FASTENER INSTALLATIONS.



SERIES 3 L ATTACHMENTS ARE .687 THICK AND RATED AT 200 INCH POUNDS.

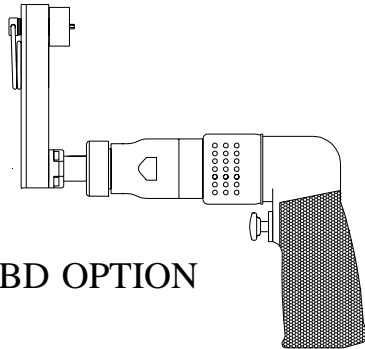


## SERIES 3 ATTACHMENTS



### OPTIONS

---

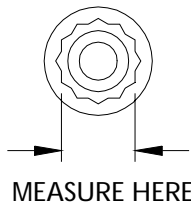


BD OPTION

THE SOCKET, HEX KEY SET UP  
AND MOTOR ROTATION IS  
REVERSED FROM STANDARD

FOR BACK DRIVE  
ADD BD AFTER TOOL ORDER NUMBER

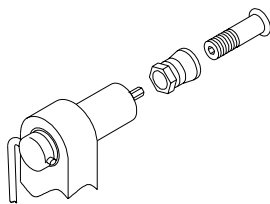
X OPTION



CHANGE TO 12 POINT CONFIGURATION

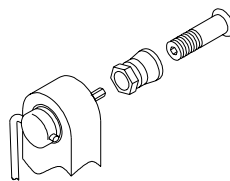
ADD X AFTER NOSE GEAR NUMBER

### SERIES 3 NOSE GEARS



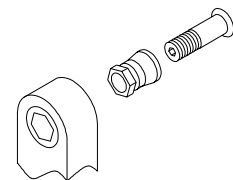
NOSE GEARS FOR SOCKETS.  
HEX DRIVER FOR HO SERIES 3 SOCKETS

PART NO.	SIZE	TYPE
12479	3/8	HEX DRIVER
12480	3/8	SQ DRIVE MALE



FLUSH STYLE.  
THE SOCKET HEX IS BUILT INTO  
THE GEAR OF THE TOOL.  
NO SOCKET IS USED

PART NO.	HEX SIZE	TYPE
12481	5/16	HEX FLU SH
12482	11/32	HEX FLU SH
12483	3/8	HEX FLU SH
12484	7/16	HEX FLU SH
12485	1/2	HEX FLU SH



HEX THRU STYLE.  
HEX RUNS THROUGH NOSE GEAR.  
HEX KEY SPRING IS NOT SUPPLIED.

PART NO.	HEX SIZE	TYPE
12486	5/16	HEX THRU
12487	11/32	HEX THRU
12488	3/8	HEX THRU
12489	7/16	HEX THRU
12490	1/2	HEX THRU