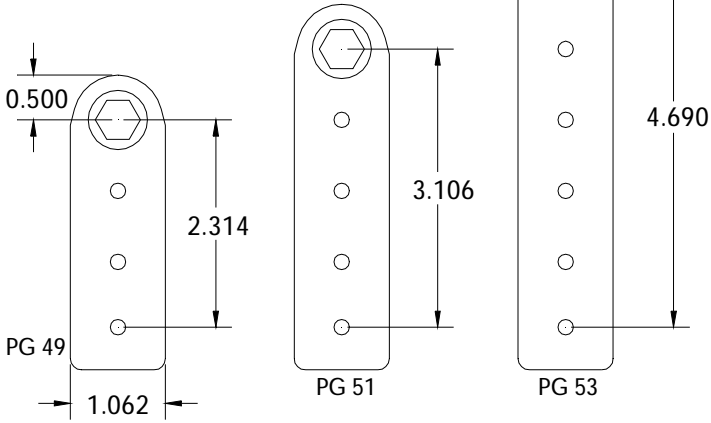


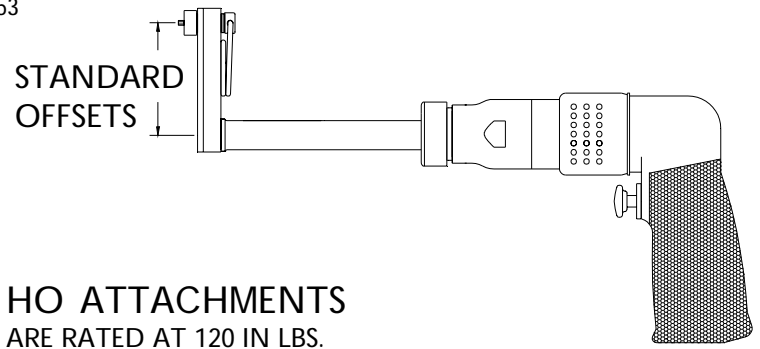
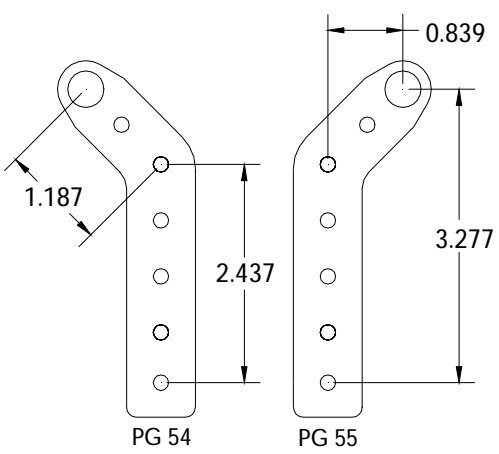
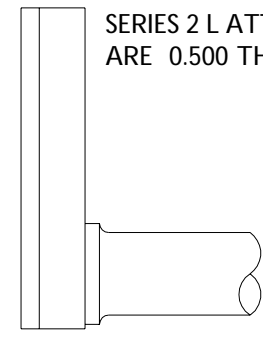


# SERIES 2 ATTACHMENTS

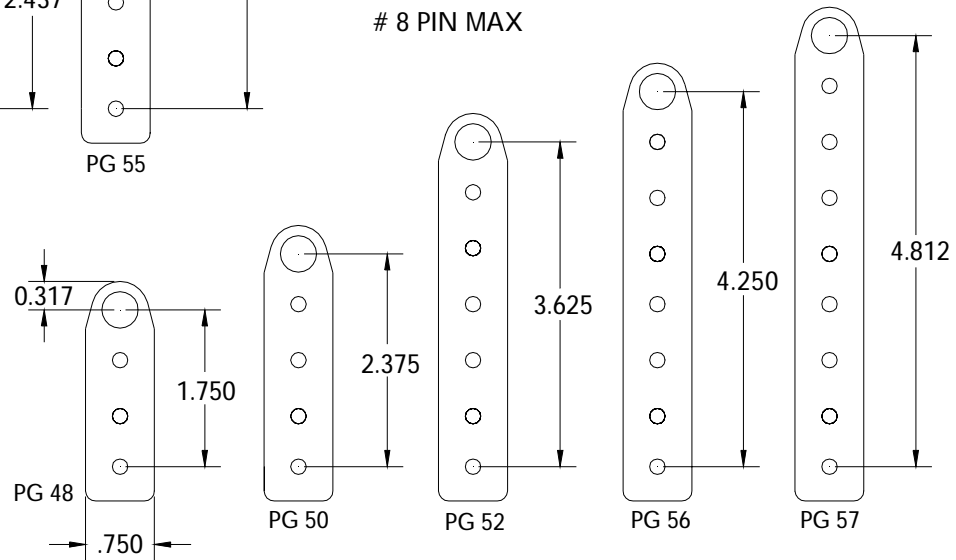
**HW ATTACHMENTS**  
ARE RATED AT 160 IN LBS.  
18.07 Nm  
# 10 PIN MAX



.500  
SERIES 2 L ATTACHMENTS  
ARE 0.500 THICK

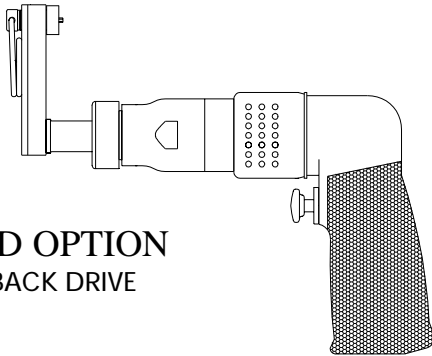


**HO ATTACHMENTS**  
ARE RATED AT 120 IN LBS.  
13.55 Nm  
# 8 PIN MAX



# OPTIONS

## SERIES 2 ATTACHMENTS

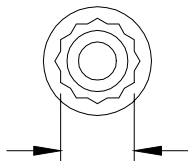


**BD OPTION**  
BACK DRIVE

THE SOCKET, HEX KEY SET UP  
AND MOTOR ROTATION IS  
REVERSED FROM STANDARD

FOR BACK DRIVE  
ADD BD AFTER TOOL ORDER NUMBER

**X OPTION**  
12 POINT

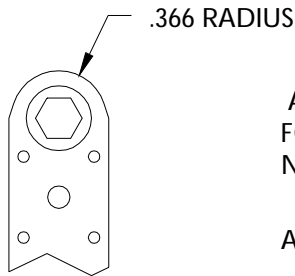


MEASURE HERE

CHANGE TO 12 POINT CONFIGURATION

ADD X AFTER NOSE GEAR NUMBER

**HD OPTION**  
HEAVY DUTY  
LARGE NOSE

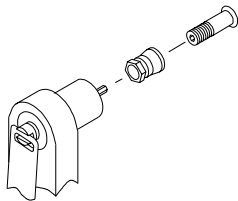


ALLOWS FOR A LARGER HEX SIZE  
FOR THE HEX THRU AND HEX FLUSH  
NOSE GEARS

ADD HD AFTER TOOL ORDER NUMBER

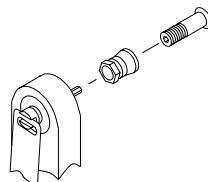
HO ATTACHMENTS ONLY

HD OPTION NOSE GEARS



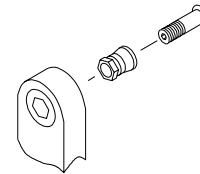
NOSE GEARS FOR SOCKETS.  
5/16 HEX DRIVER FOR HD SERIES 2 SOCKETS.  
5/16 HEX DRIVER FOR EDDIE BOLT SOCKETS.

PART NO.	SIZE	TYPE
15382	5/16	HD HEX DRIVER
15373	1/4	SQ DRIVE MALE



FLUSH STYLE.  
THE SOCKET HEX IS BUILT INTO  
THE GEAR OF THE TOOL.  
NO SOCKET IS USED

PART NO.	SIZE	TYPE
15376	9/32	HEX FLUSH
15377	5/16	HEX FLUSH
15460	11/32	HEX FLUSH



HEX THRU STYLE.  
HEX RUNS THROUGH NOSE GEAR.  
HEX KEY SPRING IS NOT SUPPLIED.

PART NO.	HEX SIZE	TYPE
15381	9/32	HEX THRU
15337	5/16	HEX THRU
15461	11/32	HEX THRU

\*"EDDIE BOLT" IS A TRADEMARK OF FAIRCHILD CORPORATION.

HD OPTION NOT AVAILABLE FOR 13210, 13211, 13212, 13213  
RIGHT AND LEFT HAND ATTACHMENTS