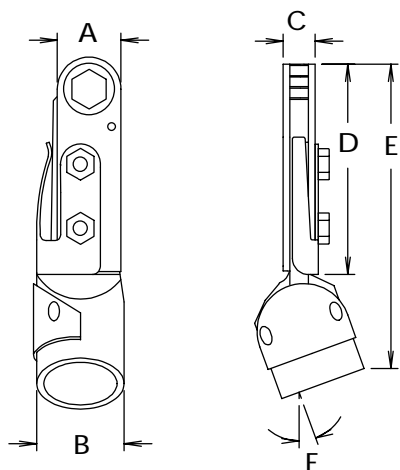
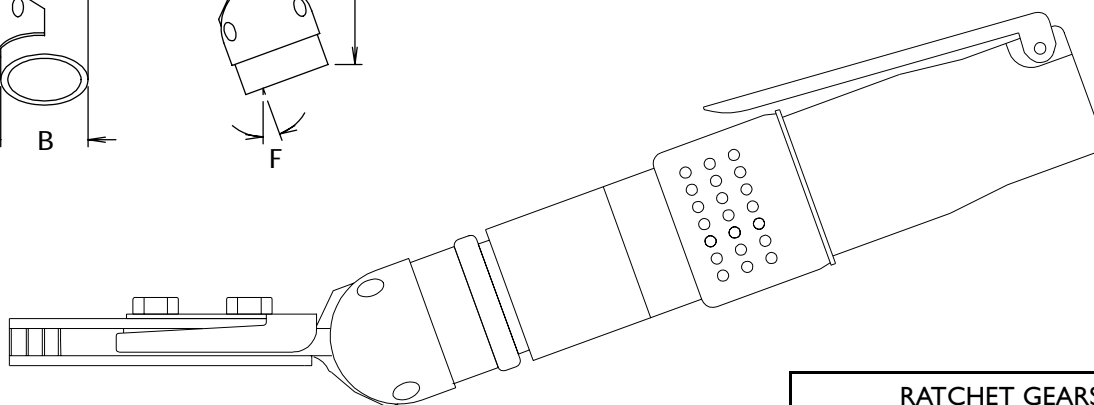




# 6602 SERIES 20° RATCHET WRENCHES



	A	B	C	D	E	F
INCH	1	1 3/8	1/2	3 5/16	4 7/8	20 DEG
MM	25.4	34.92	12.7	84.13	123.82	20 DEG



RATCHET GEARS		
PART No.	HEX SIZE	TYPE
15490	7/32	HEX THRU
15489	1/4	HEX THRU
10875	9/32	HEX THRU
1495	5/16	HEX THRU
1493	7/16	HEX THRU
1491	11/32	HEX THRU
1487	1/2	HEX THRU
1501	9/16	HEX THRU
1636	3/8	12 PT. THRU

FOR TWELVE POINT CONFIGURATION  
ADD X TO RATCHET GEAR PART No.

TOOL ORDER NUMBER	R.P.M.	R.P.M. ATTACHMENT	TORQUE		WEIGHT		LENGTH	
			IN LBS	Nm	LBS.	Kg.	INCH	MM
15274	250	28	225	23.72	3.31	1.50	13 1/4	336.5
15275	450	50	205	21.46	3.06	1.38	12 1/2	317.5
15276	1000	111	170	17.51	3.06	1.38	12 1/2	317.5
15277	2000	222	125	12.42	2.83	1.28	11	279.4
15278	2700	300	110	10.16	2.83	1.28	11	279.4