

SERIES 2 ATTACHMENTS

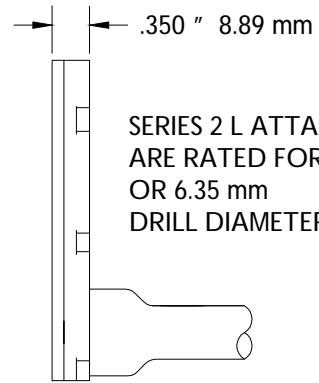
ALL BEARING L TYPE DRILLS



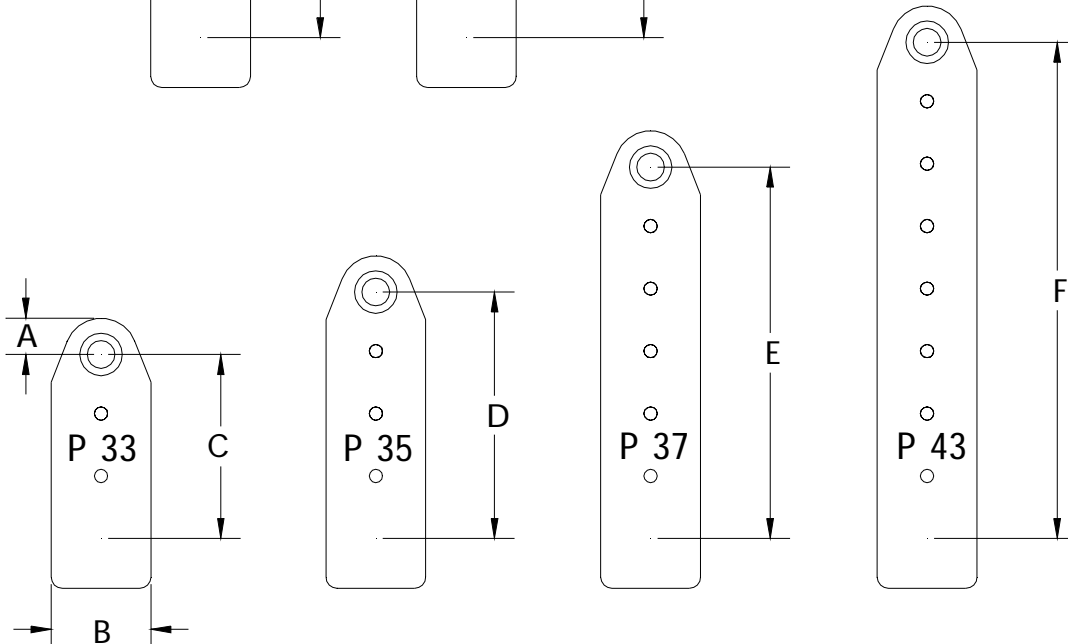
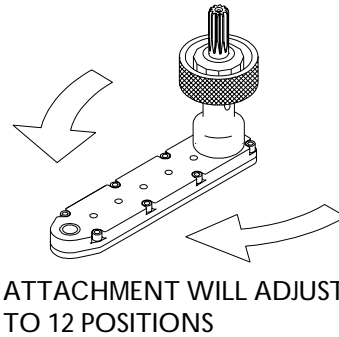
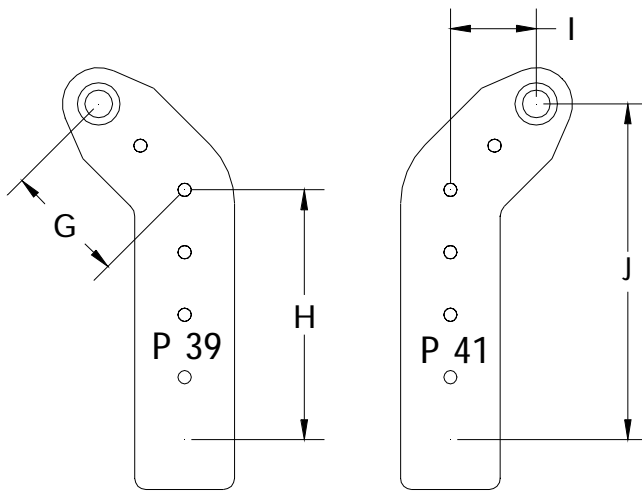
THE NEW STYLE SERIES 2 L ATTACHMENTS ARE MADE FROM THE LONGEST WEARING, STRONGEST MATERIALS AVAILABLE.

THE NEW BALL BEARING GEAR DESIGN HAS A VERY LOW AMOUNT OF FRICTION FOR LONG LIFE AND ACCURATE DRILLING.

	A	B	C	D	E	F	G	H	I	J
INCH	.327	.900	1.671	2.234	3.359	4.484	1.109	2.250	0.775	3.029
MM	8.30	22.86	42.44	56.74	85.31	113.8	28.16	57.15	19.68	76.93



SERIES 2 L ATTACHMENTS ARE RATED FOR .250 INCH OR 6.35 mm DRILL DIAMETER



FOR BACKDRIVE APPLICATIONS PLEASE CHECK WITH YOUR JIFFY AIR TOOL REPRESENTATIVE.